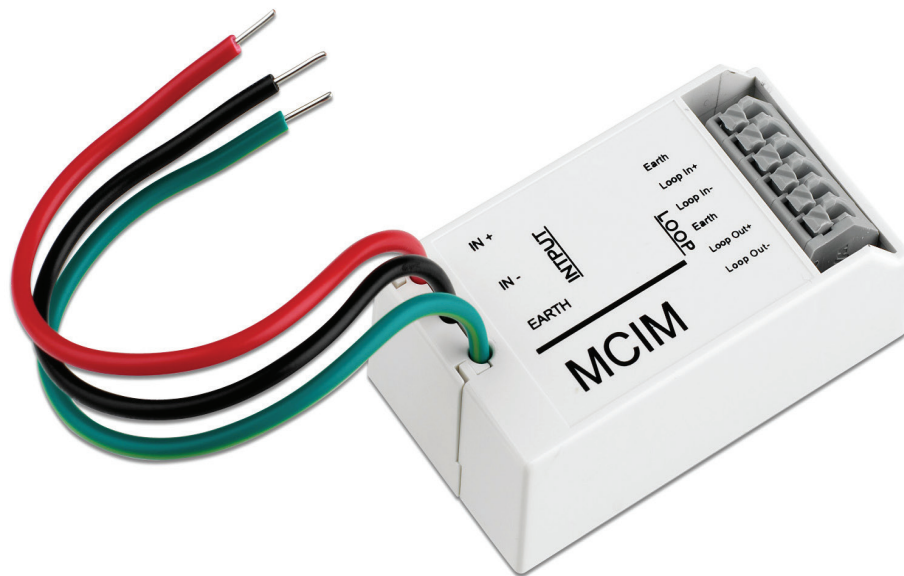


MCIM

Micro Single Channel Input Units



An extensive range of micro interfaces are available to support the Cooper range of control panels, providing solutions for most design requirements.

The MCIM is a single input, soft addressed micro interface, incorporating integral short circuit isolators. It is extremely compact and therefore ideal for incorporation into other equipment.

The MCIM is fully compatible with the current range of Cooper intelligent addressable fire control panels. It is suitable for monitoring a set of normally open, volt free contacts such as sprinkler system flow switches, auxiliary panel fire/fault signals as well as non fire input signals such as flow valve open contacts, generator start up, fire door closed etc.

Features

- Soft Addressed
- Integral short circuit isolater
- Single address
- Suitable for monitoring:
 - Flow switches
 - Non fire inputs
 - Auxillary panels
- Up to 200 units per loop

Benefits

- Quick and simple to install
- No hard addressing required (Plug and play)
- Compact size
- Programable by Cooper site installer software as technical input/non fire input

Technical Specification

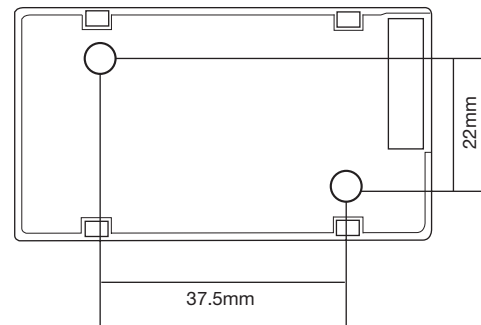
Code	MCIM
Description	Micro Single Channel Input Unit
Standards	EN54 Pt17 & Pt18
Specification	
Operating Voltage	18V dc to 30V dc
Quiescent Current	310µA
Inputs	
Trigger Resistance	5K6Ω
End of Line Resistor	22KΩ
Short Circuit Fault Threshold Resistance	1KΩ
Open Circuit Fault Threshold Resistance	33KΩ
Environmental	
Operating temperature	-10°C to +60°C
Humidity (non condensing)	0 to 95% RH
Physical	
Construction	PC/ABS
Dimensions (H x W x D)	63mm x 35mm x 18.5mm
Weight	0.078kg
Ingress protection	IP40
Compatibility	
Suitable for use with	Cooper Intelligent Addressable Fire Systems
Recommended loop/cable type	Fire Tuff, FP200, MICC type

Installation

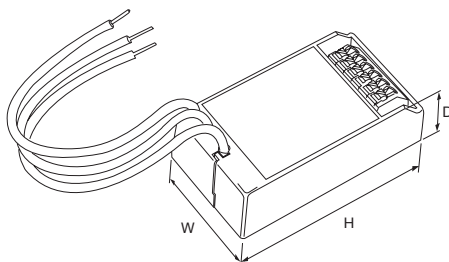
1. Inputs monitored for open and short circuit fault conditions.
2. Suitable for monitoring normally open volt free contacts (flow switches etc).
3. Connections suitable for single strand fireproof cable up to 2.5mm².
4. Loop and input cable screen must be connected to interface earth terminals.
5. The end of line monitoring resistor, must always be fitted at the end of the input wiring, if the input is unused the end of line resistor must be fitted at the interface input terminals.

Note: No addressing of the interface is required (see control panel operation for details)

Mounting Details

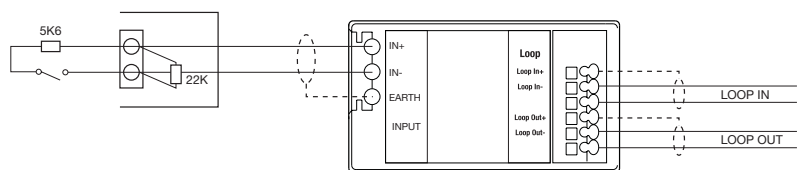


Dimensions



H (mm)	W (mm)	D (mm)
63	35	18.5

Standard Connections



Catalogue numbers

Description	Code
Micro single channel Input unit	MCIM

Eaton
Electrical Sector EMEA
Route de la Longeraie 7
1110 Morges, Switzerland

Eaton
Fire Systems Business
Cooper Lighting and Safety Ltd
Wheatley Hall Road
Doncaster
South Yorkshire
DN2 4NB
United Kingdom
Tel: +44 (0)1302 303 999
Fax: +44 (0)1302 303 333
Email: sales@cooperfire.com
Web: www.cooperfire.com

© 2014 Eaton
All Rights Reserved
Pub Reference: FDS025
September 2014

Changes to the products, to the information contained in this document, and to prices are reserved; so are errors and omissions. Only order confirmations and technical documentation by Eaton is binding. Photos and pictures also do not warrant a specific layout or functionality. Their use in whatever form is subject to prior approval by Eaton. The same applies to Trademarks. The Terms and Conditions of Eaton apply, as referenced on Eaton Internet pages and Eaton order confirmations.

Eaton is a registered trademark. All other trademarks are property of their respective owners.